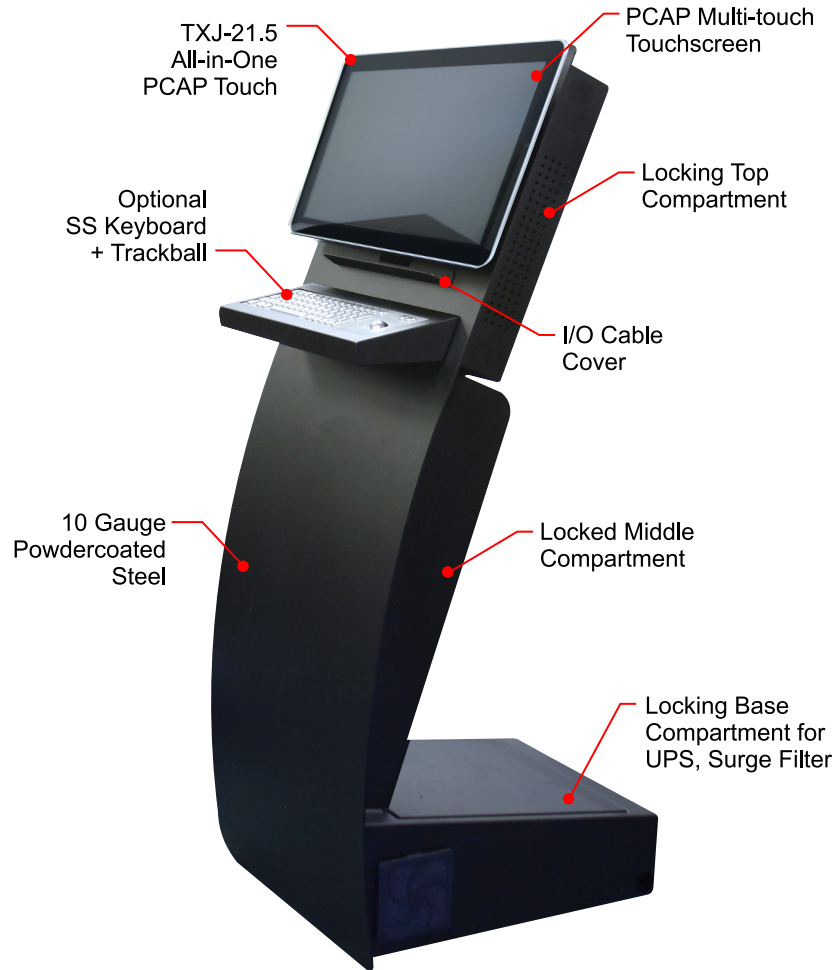


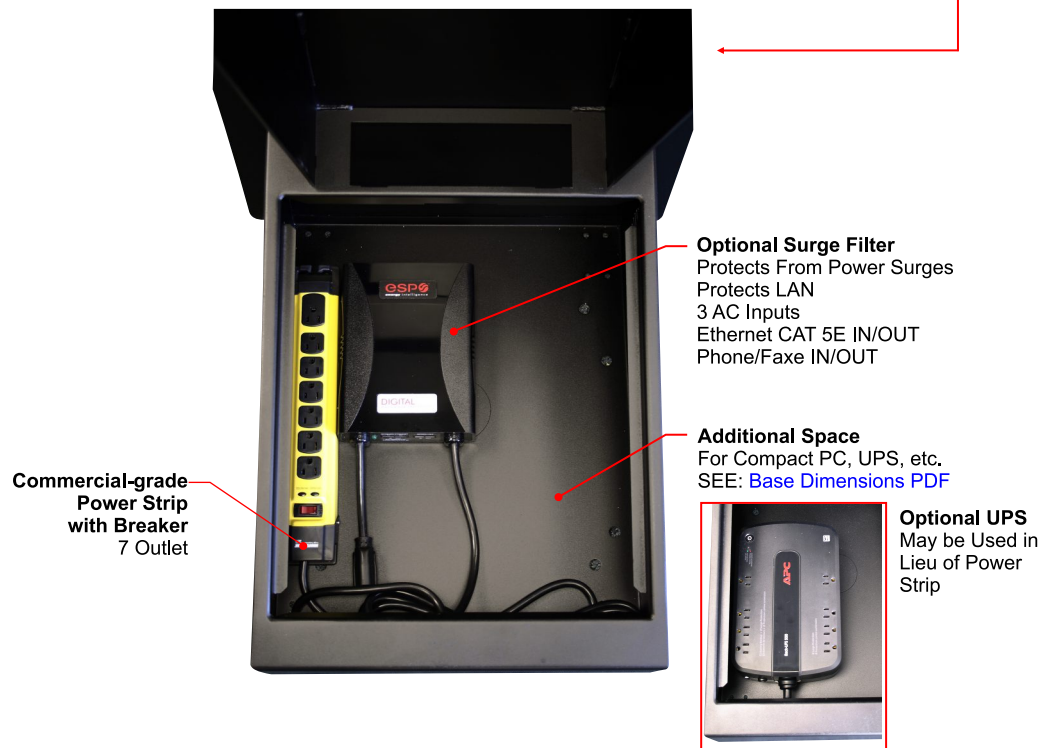
Specter Kiosk Details & Specifications

Standard Specter with 21.5" AIO and SS Keyboard with Trackball Shown:



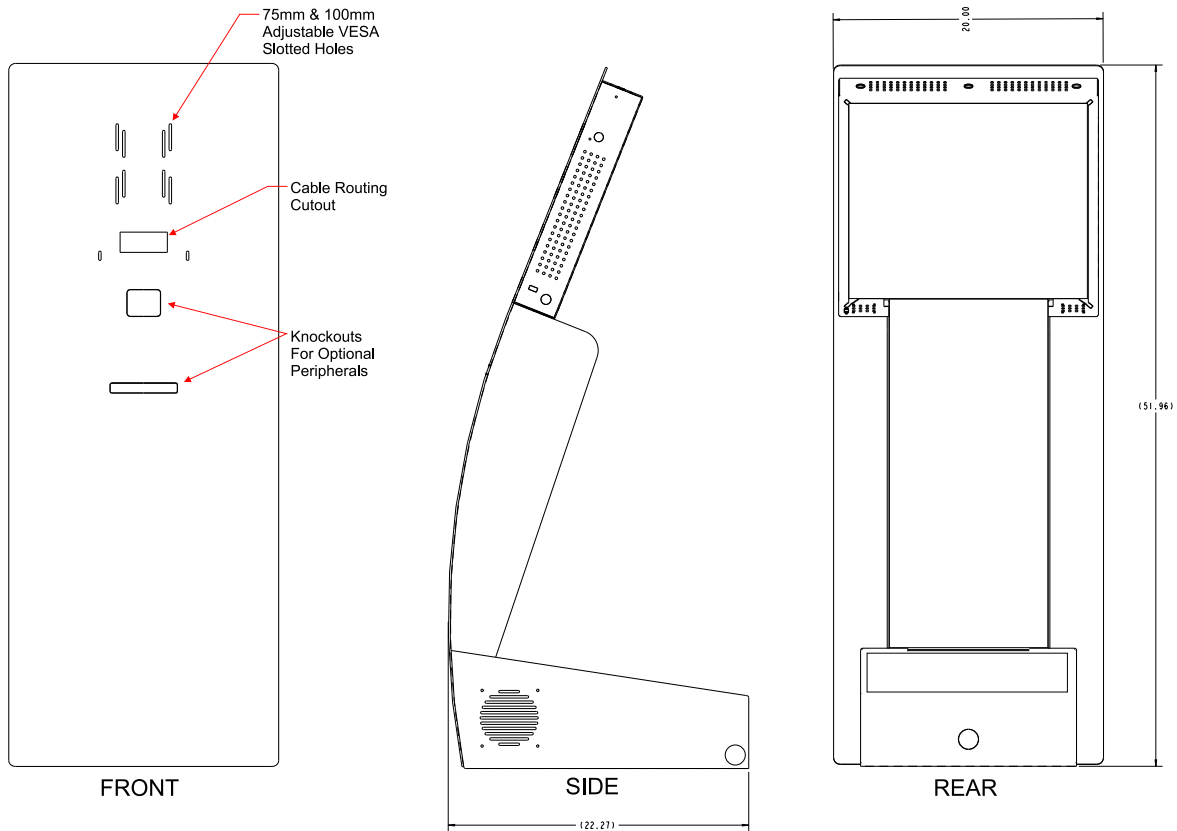
Specter Kiosk Mechanical Specifications:	
Enclosure Overall Dimensions (no AIO, no peripherals)	20"W x 52"H x 23"D
AIO VESA Mounting	75mm and 100mm slotted (height-adjustable)
Enclosure Material	10 and 14 gauge welded steel
Enclosure Finish	Black scratch resistant powder coat, sand-textured
Compartment Space	3 compartments for cabling, integrated peripherals, and accessories
Approximate Net Weight	90lbs (empty, no peripherals)

Specter Kiosk Details & Specifications

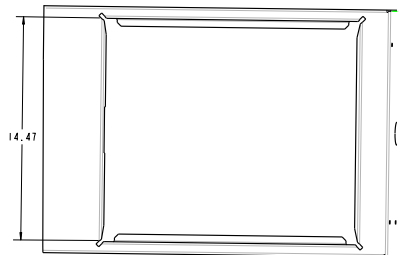


Specter Kiosk Details & Specifications

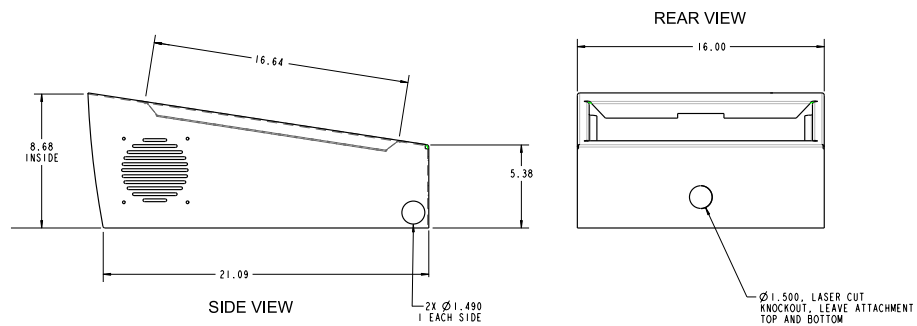
SPECTER ENCLOSURE DIMENSIONS (No AIO or peripherals shown)



TOP DOWN VIEW



SPECTER BASE DIMENSIONS



Specter Kiosk Details & Specifications

Below are examples of optional front decals that can be printed and applied to the Specter Kiosk:

